

A

B

C

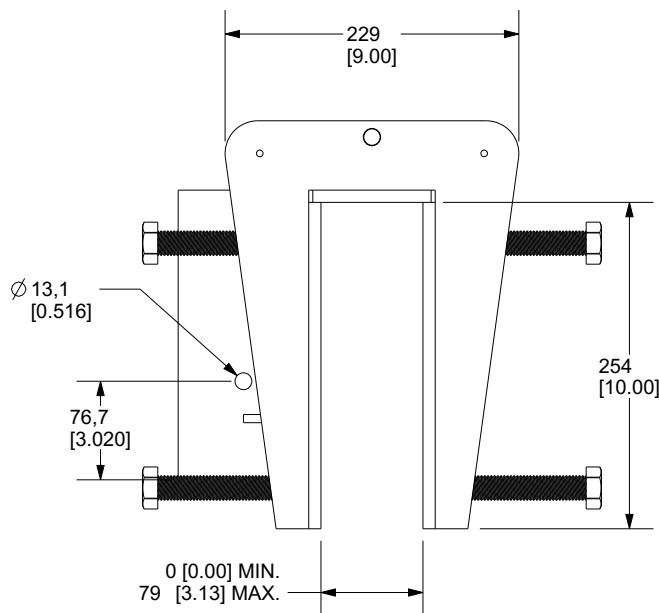
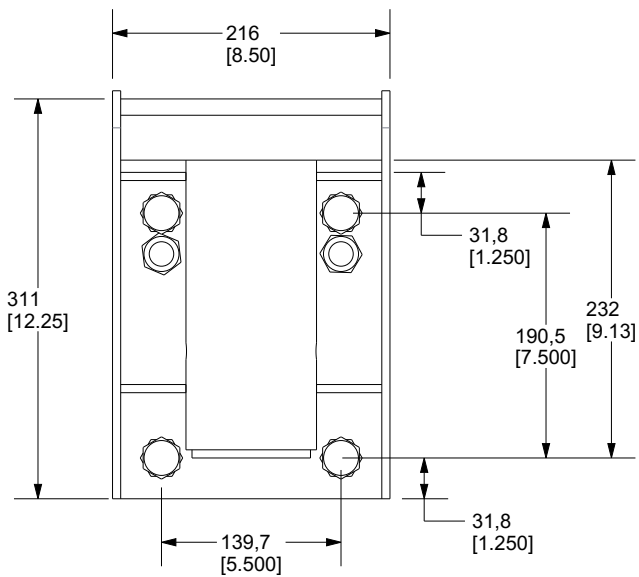
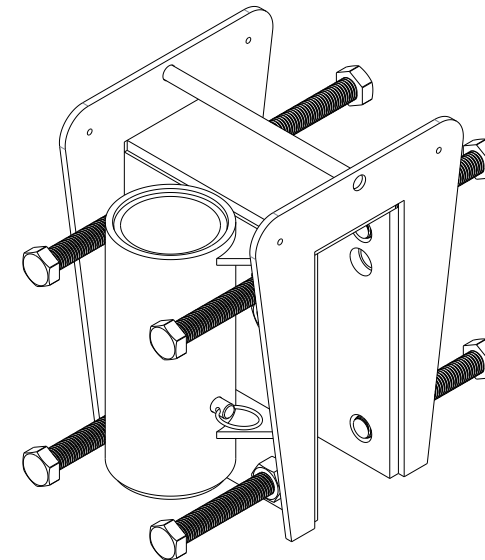
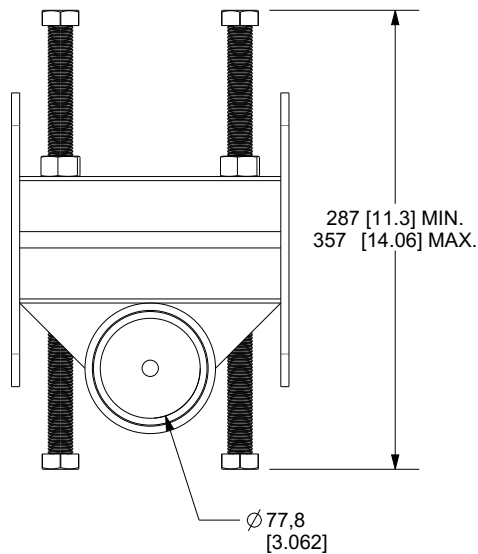
D

A

B

C

D



<b>INNOVA PUBLIC UTILITY PRODUCTS INC.</b>				
TITLE:				
76 mm (3") BARREL ADAPTER WITH 76 mm (3") CAPACITY				
WEIGHT :		DRAWN BY:		VERIFIED BY:
(kg)	(lb)	P.Petit		
17.2	38.0	DATE:		
		02/04/2010		
		SCALE:		
		17:100		
MATERIAL:		SHEET(S):	FORMAT:	No. DRAWING:
SS 304		1 / 4	A	DA2021-01_ANG_03
<small>© 9105-0732 QUEBEC INC., under exclusive license to PRODUCTS DE SERVICES PUBLICS INNOVA INC., (hereinafter "INNOVA"). All rights reserved. Protected by the Copyright Act in Canada and international treaties and conventions relating to copyright. Violators are subject to criminal prosecution and other legal remedies for infringement. Any reproduction, adaptation or other use or disclosure of any kind, in whole or in part, and in any form or by any means whatsoever either, is strictly prohibited and requires the prior written consent of INNOVA. The data is the exclusive property of 9105-0732 QUEBEC INC., under exclusive license to INNOVA and cannot be used or disclosed in any way without the prior written consent of INNOVA.</small>				

1

2

3

4

5

6

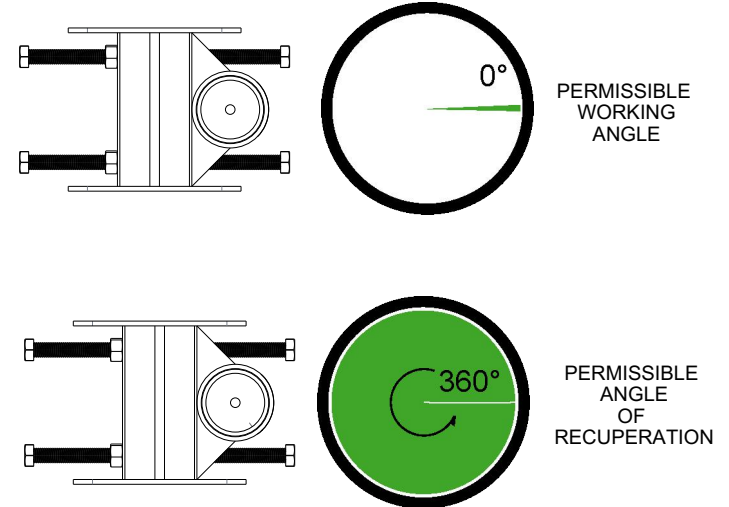
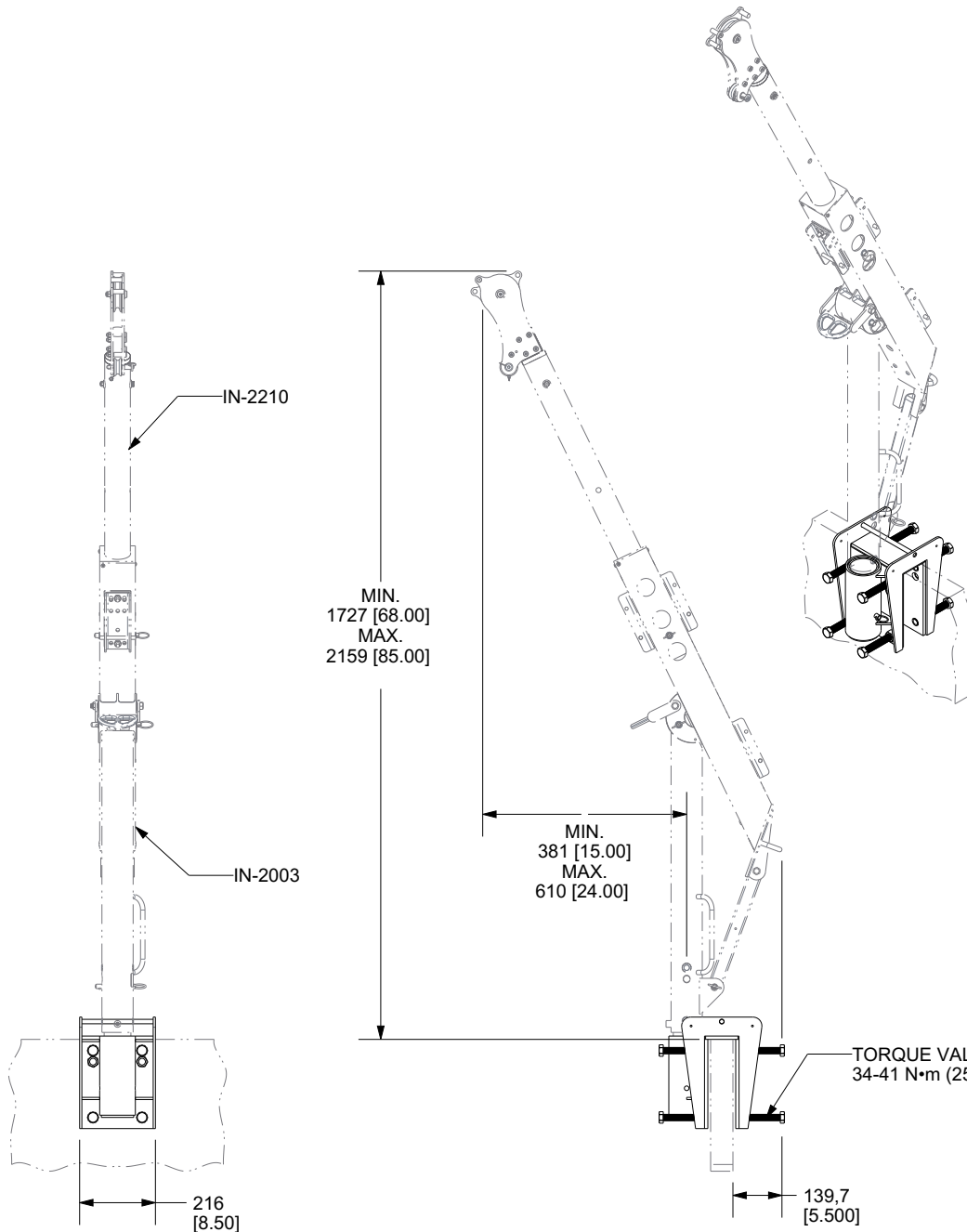
PRODUCT NUMBER: IN-2021

**IMPORTANT:**

PRODUCT SHALL ONLY BE USED PERPENDICULAR TO WALL.

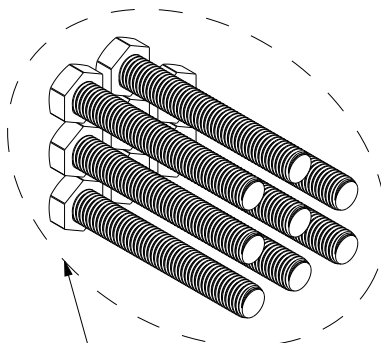
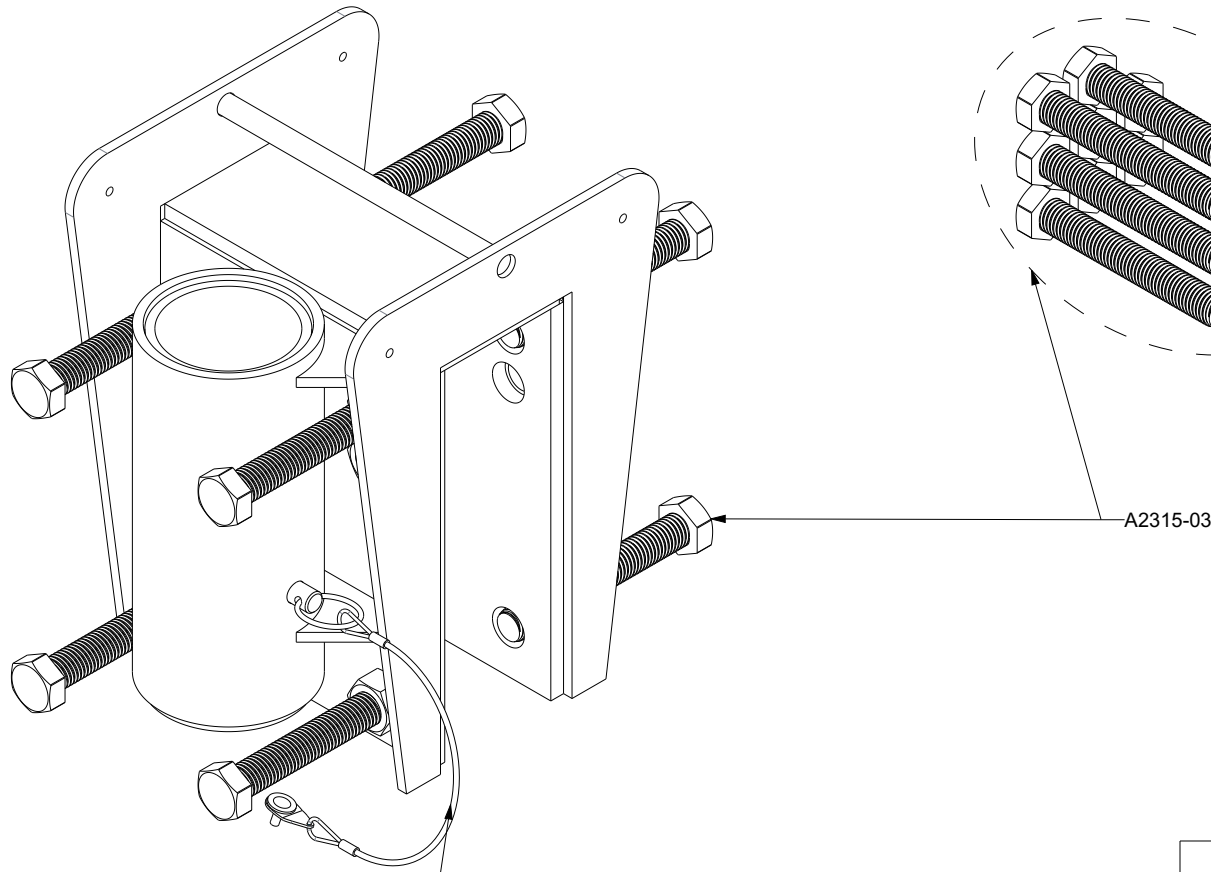
WALL RECOMMENDATIONS:  
 MOMENT LOAD : 9,8 KN•M (86 400 LBF•IN)  
 VERTICALE LOAD : 22,241 N (5 000 LBF)

N.B. IT IS THE RESPONSIBILITY OF THE FIELD ENGINEER TO ASSURE INSTALLATION COMPLIANCE.



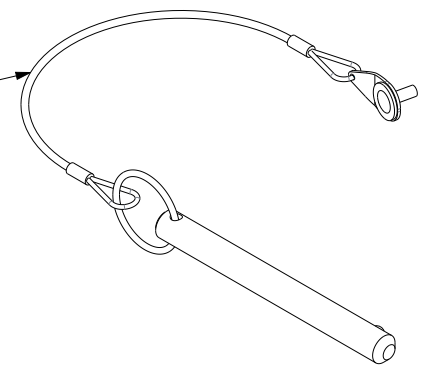
<b>INNOVA PUBLIC UTILITY PRODUCTS INC.</b>				
TITLE:				
76 mm (3") BARREL ADAPTER WITH 76 mm (3") CAPACITY				
WEIGHT :		DRAWN BY:		VERIFIED BY:
(kg)	(lb)	P. Petit		
17.2	38.0	DATE: 02/04/2010		
		SCALE: 13:100		
MATERIAL:		SHEET(S):	FORMAT:	No. DRAWING:
SS 304		2 / 4	A	DA2021-01_ANG
				REV.: 03
<small>© 9105-0732 QUEBEC INC., under exclusive license to PRODUCTS DE SERVICES PUBLICS INNOVA INC., (hereinafter "INNOVA"). All rights reserved. Protected by the Copyright Act in Canada and international treaties and conventions relating to copyright. Violators are subject to criminal prosecution and other legal remedies for infringement. Any reproduction, adaptation or other use or disclosure of any kind, in whole or in part, and in any form or by any means whatsoever either, is strictly prohibited and requires the prior written consent of INNOVA. The data is the exclusive property of 9105-0732 QUEBEC INC., under exclusive license to INNOVA and cannot be used or disclosed in any way without the prior written consent of INNOVA.</small>				





A2315-03

A2005-07



<b>INNOVA PUBLIC UTILITY PRODUCTS INC.</b>				
TITLE:				
76 mm (3") BARREL ADAPTER WITH 76 mm (3") CAPACITY				
WEIGHT :		DRAWN BY:		VERIFIED BY:
(kg)	(lb)	P. Petit		
17.2	38.0	DATE:		
		02/04/2010		
		SCALE:		
		1:4		
MATERIAL:		SHEET(S):	FORMAT:	No. DRAWING:
SS 304		4 / 4	A	DA2021-01 ANG 03
<small>© 9105-0732 QUEBEC INC., under exclusive license to PRODUCTS DE SERVICES PUBLICS INNOVA INC., (hereinafter "INNOVA"). All rights reserved. Protected by the Copyright Act in Canada and international treaties and conventions relating to copyright. Violators are subject to criminal prosecution and other legal remedies for infringement. Any reproduction, adaptation or other use or disclosure of any kind, in whole or in part, and in any form or by any means whatsoever either, is strictly prohibited and requires the prior written consent of INNOVA. The data is the exclusive property of 9105-0732 QUEBEC INC., under exclusive license to INNOVA and cannot be used or disclosed in any way without the prior written consent of INNOVA.</small>				