

Shipping Container Anchor Post (SCAP) - 22.2KN Container Post

The distinctive design of the BTS Shipping Container Anchor Post (SCAP) allows for it to be used in multiple configurations to suit different forms of work carried out on a shipping container.

The SCAP can be configured and set-up to work as a limited free fall arrest anchor point for 1 or 2 workers, in conjunction with additional secondary unit be set-up as a single span horizontal lifeline system.

FEATURES & BENEFITS

- Steel construction
- Tie-off rating at 22.2kN (5,000lbs)
- Ease of installation in multiple configurations
- Provides for fall protection for up to 2 workers
- Working limit of 140kgs (310lbs) per person when tying-off
- Optional adjustable lifeline system to suit both 20' and 40' ISO shipping containers



Top locking handle



Anchor points x 4



ISO locking nut



S/S Compliance plate



Side handle



Designed to work with most types of ISO shipping containers and comes complete with storage bag



Shipping Container Anchor Post (SCAP) - 22.2KN Container Post

This equipment is considered as part of a personal fall arrest system (PFAS) with a maximum capacity of 2 users at 140kg (310lbs) each.

Material & Construction:

Welded post unit: STEEL (H.D.G)

Finish:

Hot Dipped Galvanised & Orange UPOL

Service Temp

-23°C (-10°F) Min

Weight:

(est.) 18.5kg (40.8lb)

Rated for:

two (2) person tie-off unit at 22.2 kN (5,000lbs).

Tested to:

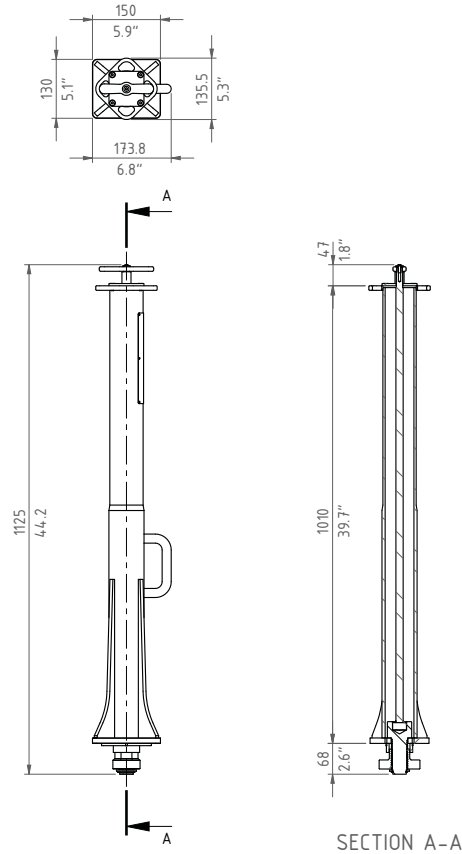
ANSI Z359.18 - Type A, OSHA 1910 & 1926, EN795:2012-B, CEN/TS 16415:2013, AS/NZS 5532: 2013 & AS/NZS 1891.4: 2009

OPTIONAL

ISO Life Line Kit for 20 or 40ft Containers

Code: LIFELINEKIT-20A

Code: LIFELINEKIT-40A



Note:

Optional Lifeline kits are to be used with 2 x 22.2kN container posts. (CBPOST22KN)

Code	Overall Length		Post Length		Base		Width including handle		Unit Weight	
	mm	in	mm	in	mm	in	mm	in	kg	lbs
CBPOST22KN	1125	44.2	1010	39.7	150 x 135.5	5.9 x 5.3	173.8	6.8	18.5	40.8

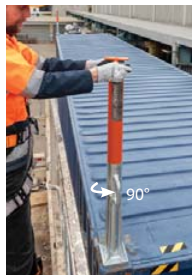
Easy Installation



Place container post into ISO corner casting



Rotate post 90°



Rotate top handle until firm



Attach hook on SRL to anchor point on container post

Note:

- Before using the SCAP, the user needs to be equipped with appropriate PPE and a full body harness.
- An SRL shall be attached to the SCAP personnel attachment point which gets attached to the harness of the user.
- Refer to the user manual for product setup and usage including details around safe working area guides.



Read Instruction Manual before using.

