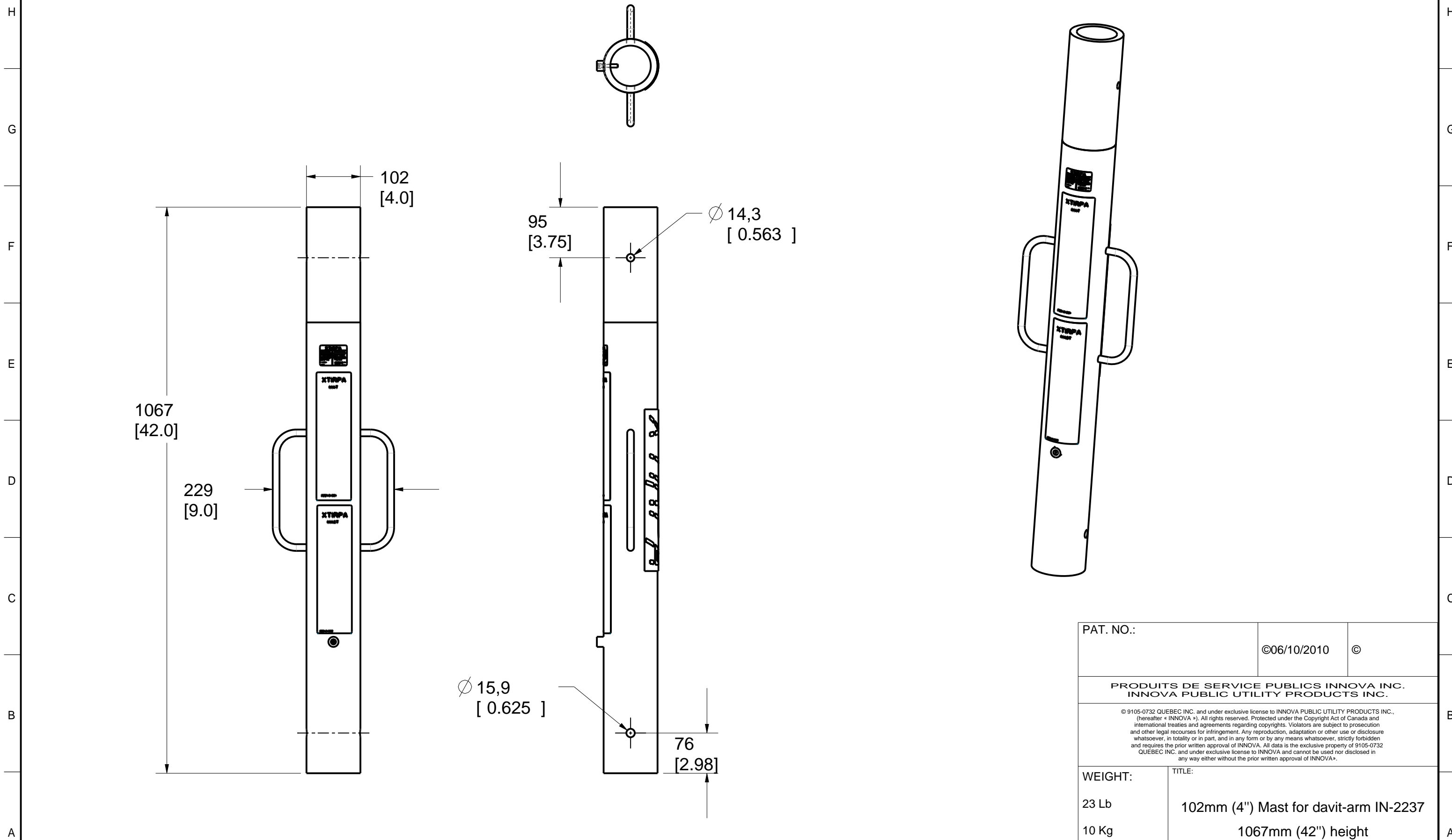
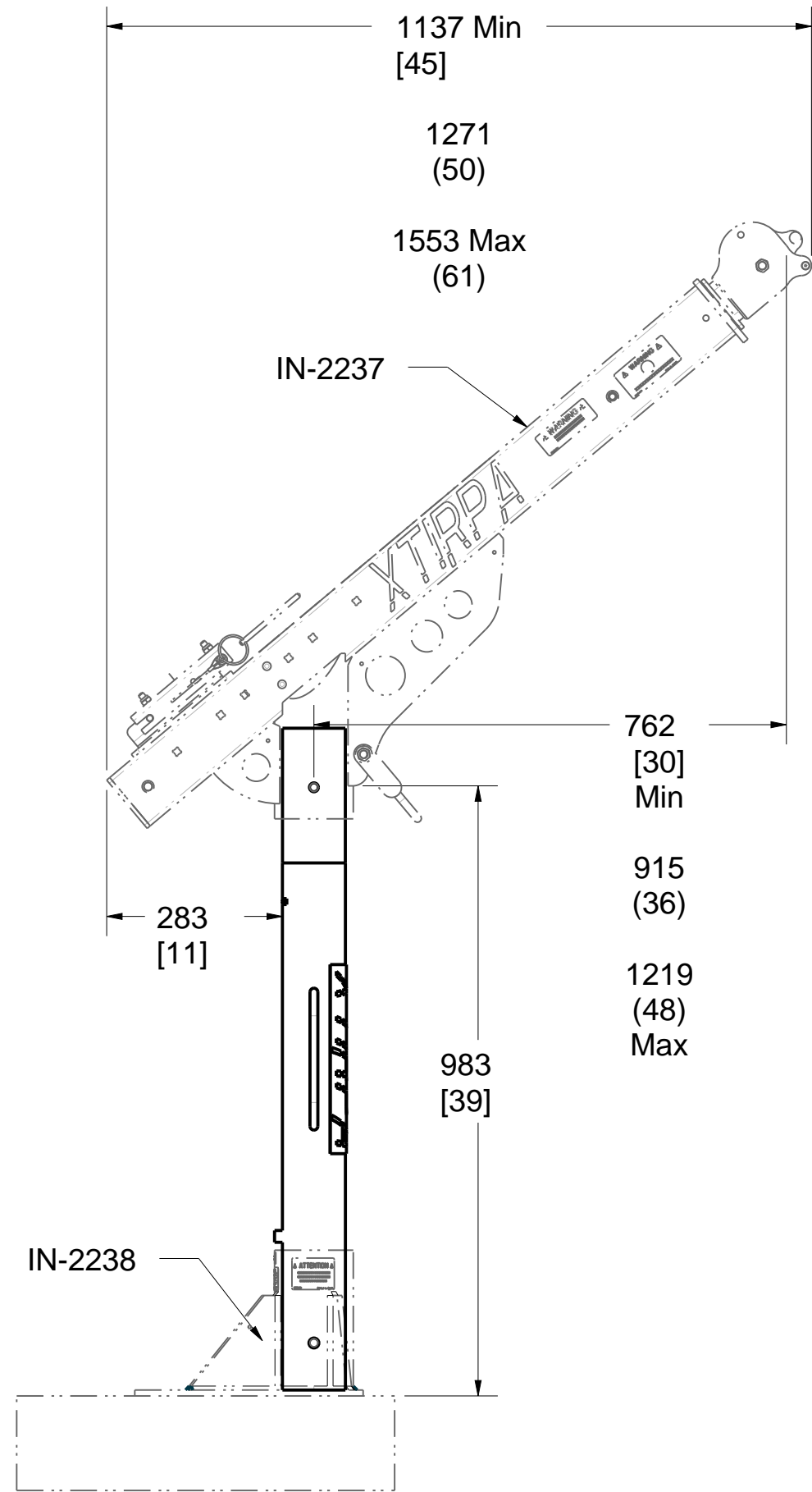


Product number: IN-2240



PAT. NO.:		©06/10/2010	©
PRODUITS DE SERVICE PUBLICS INNOVA INC. INNOVA PUBLIC UTILITY PRODUCTS INC.			
<small>© 9105-0732 QUEBEC INC. and under exclusive license to INNOVA PUBLIC UTILITY PRODUCTS INC., (hereafter « INNOVA »). All rights reserved. Protected under the Copyright Act of Canada and international treaties and agreements regarding copyrights. Violators are subject to prosecution and other legal recourses for infringement. Any reproduction, adaptation or other use or disclosure whatsoever, in totality or in part, and in any form or by any means whatsoever, strictly forbidden and requires the prior written approval of INNOVA. All data is the exclusive property of 9105-0732 QUEBEC INC. and under exclusive license to INNOVA and cannot be used nor disclosed in any way either without the prior written approval of INNOVA.</small>			
WEIGHT:	TITLE:		
23 Lb	102mm (4") Mast for davit-arm IN-2237 1067mm (42") height		
10 Kg			
COLOR:	MATERIAL:	SHEET(S):	PROJECT:
Safety Yellow	Aluminum	1 / 4	IN-2240

Product number: IN-2240



PAT. NO.:		©06/10/2010	©
PRODUITS DE SERVICE PUBLICS INNOVA INC. INNOVA PUBLIC UTILITY PRODUCTS INC.			
© 9105-0732 QUEBEC INC. and under exclusive license to INNOVA PUBLIC UTILITY PRODUCTS INC., (hereafter « INNOVA »). All rights reserved. Protected under the Copyright Act of Canada and international treaties and agreements regarding copyrights. Violators are subject to prosecution and other legal recourses for infringement. Any reproduction, adaptation or other use or disclosure whatsoever, in totality or in part, and in any form or by any means whatsoever, strictly forbidden and requires the prior written approval of INNOVA. All data is the exclusive property of 9105-0732 QUEBEC INC. and under exclusive license to INNOVA and cannot be used nor disclosed in any way either without the prior written approval of INNOVA.			
WEIGHT:	TITLE:		
23 Lb	102mm (4") Mast for davit-arm IN-2237 1067mm (42") height		
10 Kg			
COLOR:	MATERIAL:	SHEET(S):	PROJECT:
Safety Yellow	Aluminum	2 / 4	IN-2240

SPECIFICATIONS

This equipment is considered as part of a personal fall arrest system (PFAS) with a maximum working capacity of 164 Kg (360 lb).

It is only to be used in conjunction with a personal fall arrest system that limits the maximum arrest force (MAF).

Max Working load (mass):

With Davit-Arm IN-2237: 164 kg (360 lb)

Max working moment with Davit-Arm IN-2237: 1,952 N-m (17,280 lbf-in)

Max design capacity: with Davit-Arm IN-2237: 16,014 N (3,600 lbf)

Max design moment with Davit-Arm IN-2237: 19,524 N-m (172,800 lbf-in).

STANDARDS

Meets the following standards:

OSHA Personal fall arrest system - 1910.66 App C

ANSI Safety requirements for personal fall arrest system, subsystems and components Z359.1 - 2007

CAN/CSA Fall arresters, vertical lifelines, and rails Z259.2.1-98

CE EN 795: 2012 type A, B and E

MATERIAL AND CONSTRUCTION

Mast : Aluminum 6061-T6

Handle : Aluminum 6061-T6

Finish : Yellow security powder paint with metal protection base.

Welding certification: CSA W47,2M

RESTRICTIONS

This product is to be used only with products approved by Innova public utility products INC.

IMPORTANT :

**The positioning pins must always be in place when manouvering personnel. Otherwise, serious injuries may occur.

Periodic inspections of hardware must be done.

In the occurrence of a fall or the safety of the equipment is in doubt, equipment must be immediately removed from service and inspected by qualified personnel before reuse.

** This equipment must always be operated in a level position.

Product number: IN-2240



PAT. NO.:		006/10/2010		©
PRODUITS DE SERVICE PUBLICS INNOVA INC. INNOVA PUBLIC UTILITY PRODUCTS INC.				
<small>© 2005-2010 INNOVA INC. and under exclusive license to INNOVA PUBLIC UTILITY PRODUCTS INC. Character & INNOVA et. All rights reserved. Protected under the Copyright Act of Canada and international treaties and agreements regarding copyrights. Reproduction or other use of drawings and other legal resources for sale, rental, or any other purpose, in whole or in part, without the prior written approval of INNOVA, is strictly prohibited and requires the prior written approval of INNOVA. All data is the exclusive property of INNOVA INC. and under exclusive license to INNOVA and cannot be used or disclosed in any way without the prior written approval of INNOVA.</small>				
WEIGHT:	TITLE:			
23 Lb	102mm (4") Mast for davit arm IN-2237.			
10 Kg	1067mm (42") height			
COLOR:	MATERIAL:	SHEET(S):	PROJECT:	
Safety Yellow	Aluminium	3 / 4	IN-2240	

8

7

6

5

4

3

2

1

H

G

F

E

D

C

B

A

H

G

F

E

D

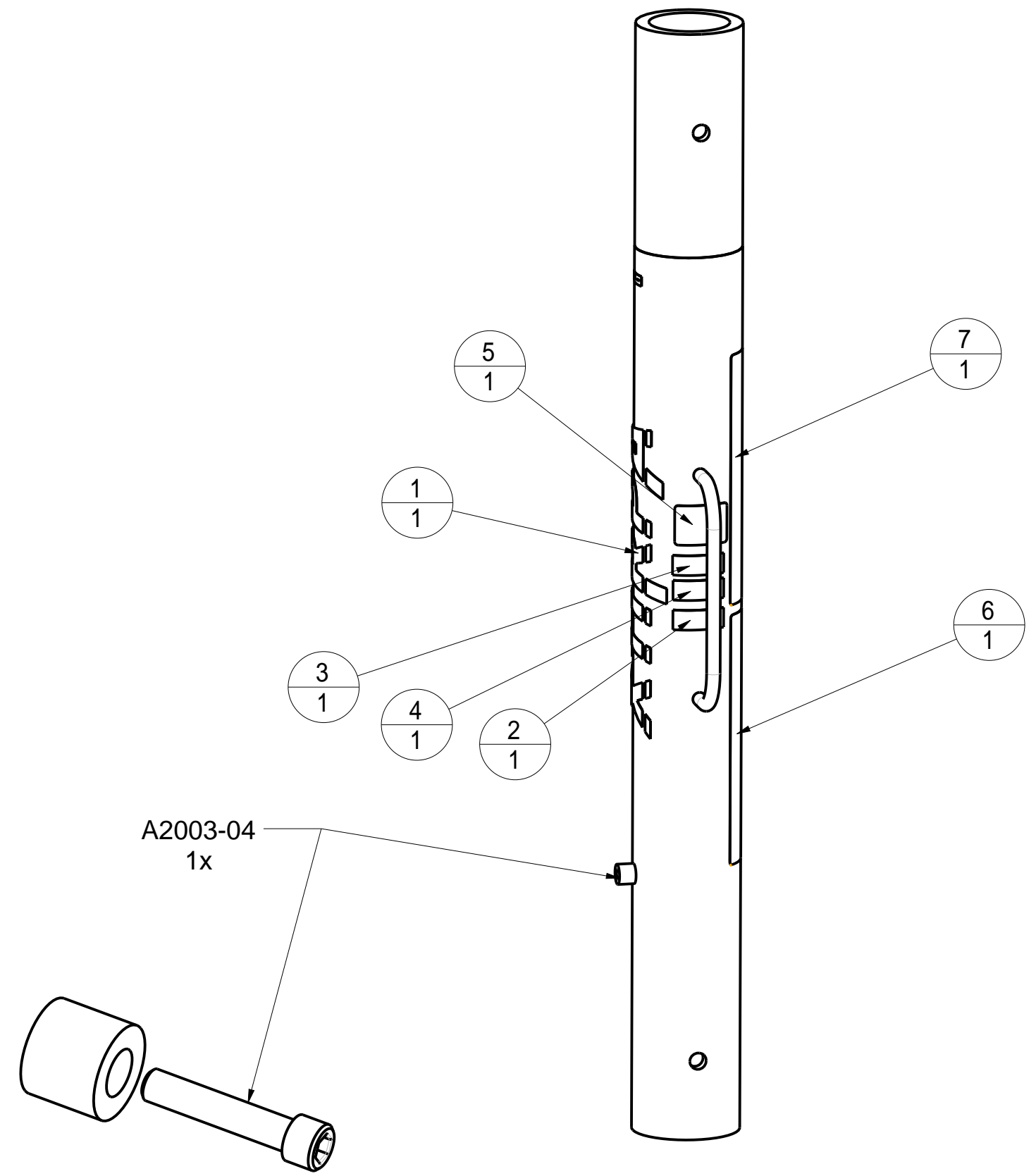
C

B

A

Product number: IN-2240

7	1	S2240-002	RevF	Label Instructions English
6	1	S2240-001	RevE	Label Instructions French
5	1	S2001-005	RevC	Label XTIRPA serial number
4	1	S2305-007	RevB	Security Label CE Type E
3	1	S2324-004	Rev.A	Security Label CE type B
2	1	S2337-003	REV C	Security Label Type A
1	1	S2002-003	B	XTIRPA Logo
IDX	QTE	COMPONENT	REV	DESCRIPTION



PAT. NO.:		©06/10/2010	©
PRODUITS DE SERVICE PUBLICS INNOVA INC. INNOVA PUBLIC UTILITY PRODUCTS INC.			
<small>© 9105-0732 QUEBEC INC. and under exclusive license to INNOVA PUBLIC UTILITY PRODUCTS INC., (hereafter « INNOVA »). All rights reserved. Protected under the Copyright Act of Canada and international treaties and agreements regarding copyrights. Violators are subject to prosecution and other legal recourses for infringement. Any reproduction, adaptation or other use or disclosure whatsoever, in totality or in part, and in any form or by any means whatsoever, strictly forbidden and requires the prior written approval of INNOVA. All data is the exclusive property of 9105-0732 QUEBEC INC. and under exclusive license to INNOVA and cannot be used nor disclosed in any way either without the prior written approval of INNOVA».</small>			
WEIGHT:	TITLE:		
23 Lb	102mm (4") Mast for davit arm IN-2237,		
10 Kg	1067mm (42") height		
COLOR:	MATERIAL:	SHEET(S):	PROJECT:
Safety Yellow	Aluminum	4 / 4	IN-2240

8

7

6

5

4

3

2

1